

The Best Of



SEVEN SEAS TRADING

Builders, Contractors, and Distributors Choice 2023 Edition

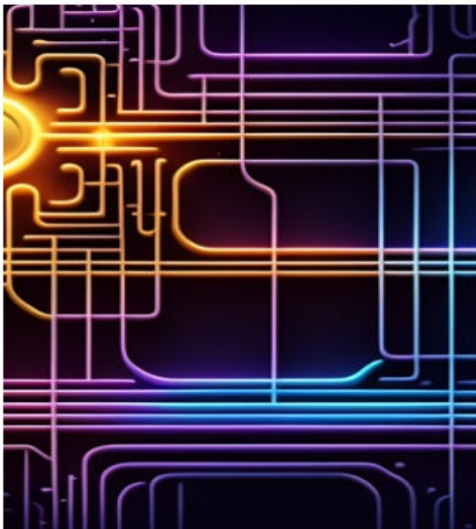
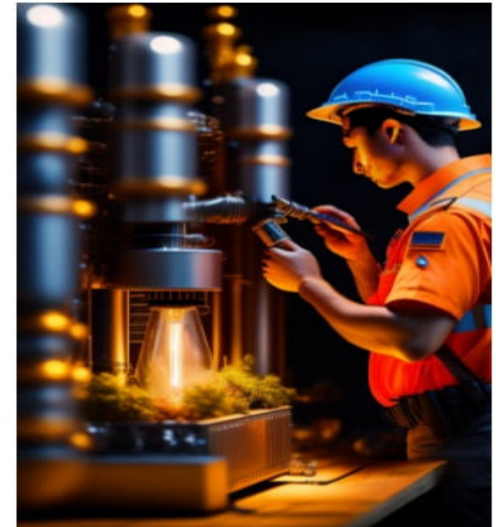
The Best Building Products
All With One Supplier

←—————→

ADVANTAGE OF TRADING THE SEVEN SEAS:

- Customer Service 24/7
- Assistance with Custom Clearance, Freight, International disputes, and Consulting
- Volume based savings
- Dedicated Account specialist to Pursue Cost saving projects for Existing Customers

←—————→



 <p style="background-color: #0056b3; color: white; padding: 2px; margin: 0;">Submersible Cables</p>	 <p style="background-color: #0056b3; color: white; padding: 2px; margin: 0;">Single & Multicore Flexible Cables</p>
 <p style="background-color: #0056b3; color: white; padding: 2px; margin: 0;">Power & Control</p>	

The last Supplier/Logistics Partner you will NEED



Shipping Perks

Multiply Intercom options.



Logistics Savings

Booked directly with shipping lines and carriers.

Volume discounts.



A+ Service

Almost 24/7 support. We grow with you.

Custom clearance, freight and import/export assistance

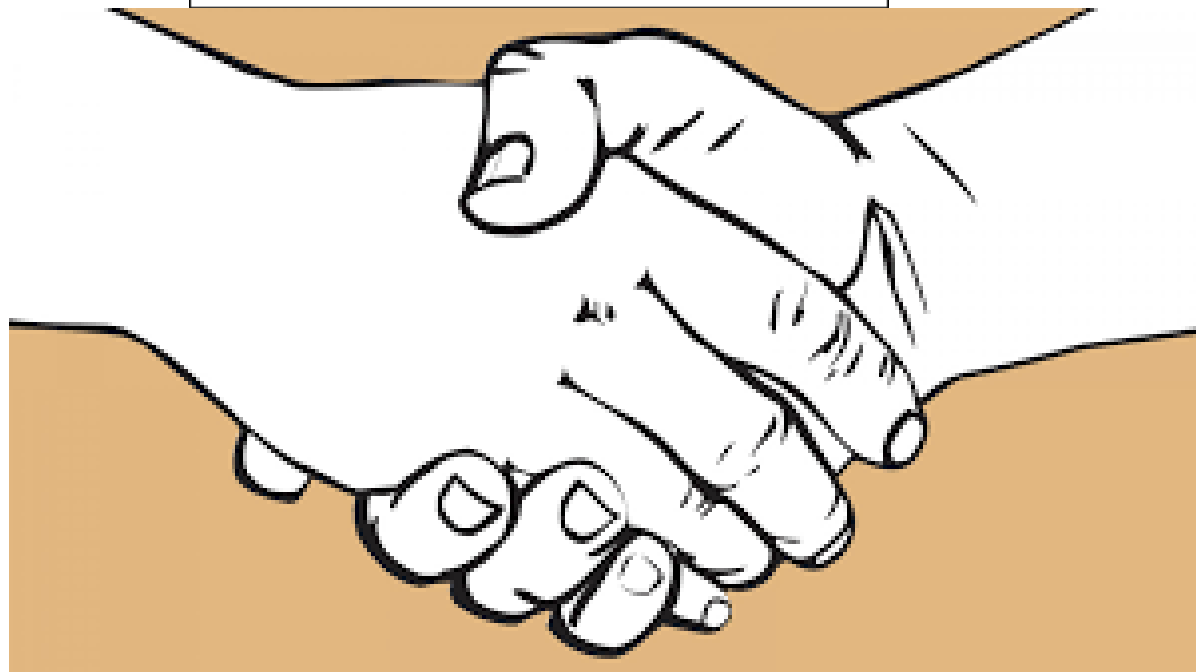


Factory Direct

We either manufacture

or work directly with factories.

MORE THAN A WHOLESALER



**Drinking Water
Submersible Pump
Cables**



**Submersible
Cables**



**Single & Multicore
Flexible Cables**



**Power & Control
Cables**





**PVC Flat Submersible Pump Cables:
3 Conductors : 2 wires with Ground
90° C: 600 V: UL 83 Listed**

Seven Seas has the expertise to design and manufacture the latest and most innovative flexible cables to meet the most demanding and technically challenging applications like submersible pump cables.

A Proud history of cable manufacturing expertise, with more than 40 years of servicing the industry. Distinct advantage is its relentless commitment to quality and service, complemented by its superior technical expertise and extensive manufacturing capabilities.

Features :

Submersible pump cables are specialized cables used to supply power to submersible pumps in a deep bore well. As the cables are installed at a depth of 200 ft to 1000 ft in a physically restrictive & hostile environment, the cable must be designed for long-term performance and reliability. Our submersible cables are designed and manufactured to meet Indian and international standards.

Applications :

Submersible pump cables are used to supply power to submersible pumps for: -

- Irrigation
- Drinking water
- Industries.
- Mines.
- Fountains.

Construction :

Conductor : High purity electrolytic grade bright annealed flexible bunched bare copper conductor according to international standards like ASTM B172, IS-8130, BS-6360, IEC-228 & VDE-0295.

Insulation : Type THHW grade PVC Compound impervious to water, oils, grease etc.

Core Colors : 3 cores – Red, Yellow, Black

Jacket : High abrasion resistant tough & flexible PVC Compound, Black, Blue or as per customer request.

Number of cores x cross-section no. x awg	Outer dimensions mm x mm	Max. conductor resistance at 20°C ohm/1000 feet	Current carrying capacity at 30 amps.
14/2 W/14 Gr.	0.512 x0.232	2.525	20
12/2 W/12 Gr.	0.606x0.264	1.628	25
10/2 W/10 Gr.	0.689x0.295	0.998	35
8/2 W/10 Gr.	0.819x0.366	0.6282	50
14/3 W/14 Gr.	0.650x0.232	2.525	20
12/3 W/12 Gr.	0.776x0.264	1.628	25
10/3 W/10 Gr.	0.894x0.295	0.998	35
8/3 W/10 Gr.	1.075x0.366	0.6282	50
6/3 W/10 Gr.	1.295x0.433	0.3951	65
4/3 W/8 Gr.	1.535x0.520	0.2485	85
2/3 W/8 Gr.	1.713x0.579	0.1563	115
1/0-3 W/6 Gr.	2.185x0.748	0.098	150
2/0-3 W/6 Gr.	2.433x0.827	0.0729	175
3/0-3 W/6 Gr.	2.559x0.882	0.0618	200

Telephone Cable



Salient Features

- Range : 0.40 & 0.50 Sq. mm dia conductors available up to 50 pairs.
- Solid / Stranded Bare annealed copper Conductor.
- PVC / PE Insulated.
- Individual / Overall Shielded with Aluminium tape (Polyester backed)/ Melinex Tape / Wire braiding / Aluminium foil taping.
- Low cross talk, Low attenuation, High speed transmission.

CCTV Cables



Salient Features

- Range : 3+1 CCTV and 4+1 CCTV Cable.
- Coaxial Cable consists of solid annealed bare copper conductor.
- PE insulated with Nylon foamed dielectric aluminum foil taped, Jelly flooded, braided with aluminum alloy / copper and FR PVC sheathed cable.
- Low loss characteristics reduced attenuation of the video signal.

DC Solar Cable

Salient Features

- Range : Single core 2.5, 4, 6, 10, 16, 35, 50, 70 & 95 Sq. mm.
- Flexible tinned annealed electrolytic grade copper conductor.
- Specially formulated cross linked Polyolefin compound insulated and low smoke zero halogen sheathed with UV and Ozone resistant.
- Latest requirement for PV system as per EN-50618.



Co-axial Cable / CCS



Salient Features

- Range : RG-59, RG-6, RG-11
- Solid bare annealed electrolytic grade copper
- PE foam
- Aluminum Alloy Braiding / Aluminum Foiling / Taping
- Specially formulated FR PVC
- Low attenuation, High band width Moisture proof, low loss signal Quality.

Flat Elevator Cables



Salient Features

- Range : 0.5 to 1.5 Sq. mm. for upto 12 core.
- Flexible bare annealed electrolytic grade copper.
- PVC Insulated & PVC sheathed.
- Specially formulated PVC.

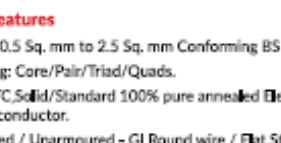
Fire Alarm & Fire Survival Cables

Salient Features

- Range : 0.5 Sq. mm to 2.5 Sq. mm Conforming BS: 7846 600/1000 Volts.
- Shielding: Core/Pair/Triad/Quads with Mica/glass fire barrier tape.
- ABC/ATC, Solid/Standard 100% pure annealed Electrolytic grade copper conductor.
- Armoured / Unarmoured - GI Round wire / Flat Strip.
- Operating Temperature -10°C +90° C.
- Fire Tests Bs6387 CWZ, BS 8491, IEC 60331- 2.



Instrumentation Cable



Salient Features

- Range : 0.5 Sq. mm to 2.5 Sq. mm Conforming BS 5308-I & II.
- Shielding: Core/Pair/Triad/Quads.
- ABC/ATC, Solid/Standard 100% pure annealed Electrolytic grade copper conductor.
- Armoured / Unarmoured - GI Round wire / Flat Strip.
- Low attenuation and cross talk.
- For Analog & Digital Signals.
- Low structural return loss.
- Use In Digital Control, measuring & Communication systems.

Anderson, SC 2962 Sales



CERTIFICATE OF COMPLIANCE

Certificate Number E534144
 Report Reference E534144 - 20230425
 Issue Date 2023-APRIL-25

Issued to: Seven Seas Trading LLC
 524 Stagecoach Dr Anderson,
 SC, 29625-5833 US

This certificate confirms that representative samples of Nonmetallic-sheathed Cable Type(s) - NM, NM-B

Have been evaluated by UL in accordance with the Standard(s) indicated on this Certificate.

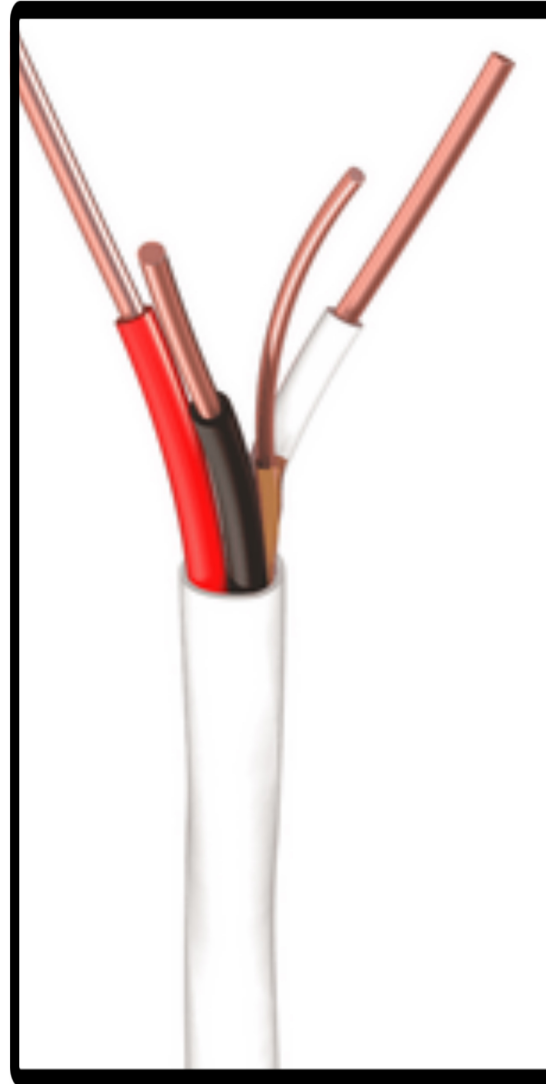
Standard(s) for Safety: UL 719 - Nonmetallic-Sheathed Cables

Additional Information: See UL Product iQ® at <https://iq.ulprospector.com> for additional information.

This Certificate of Compliance indicates that representative samples of the product described in the certification report have met the requirements for UL certification. It does not provide authorization to apply the UL Mark. Only the Authorization Page that references the Follow-Up Services Procedure for ongoing surveillance provides authorization to apply the UL Mark.

Only those products bearing the UL Mark should be considered as being UL Certified and covered under UL's Follow-Up Services.

Look for the UL Certification Mark on the product.



Non-Metallic Sheathed Cable – Copper Conductor, 600 V, 90° C



- STANDARDS**
- UL 83
 - UL 719
 - UL 1581
 - UL 2556
 - NFPA 70 (NEC Article 334)
 - ASTM B3 and B8

APPLICATIONS

Non-metallic sheathed cable is commonly used for residential wiring as branch circuits in both exposed and concealed work in dry locations at temperature up to 90°C as specified in Article 334 of the National Electrical Code (NEC). Ampacity will be limited to that of 60°C conductor temperature rating, as specified in the NEC.

CONSTRUCTION

Conductors
 Solid 14-10 AWG soft, uncoated copper, per ASTM-B3; Stranded 8 AWG conductor and larger uncoated, copper ASTM-B8

Insulation
 Color-coded Polyvinyl Chloride (PVC) compound Type THHW as per UL 83 rated for 90°C in dry locations for both Circuit Conductors and Grounding Conductors. Color coded. -2 with ground: Black, Green, White
 -3 with ground: Black, Red, Green, White

Assembly
 2, 3 insulated conductors laid parallel with an insulated ground wire with overall PVC outer jacket.

Jacket
 A color-coded PVC jacket is applied over the completed assembly as follows: 14 AWG-White, 12 AWG-Yellow, 10 AWG-Orange, 8 AWG & 6 AWG-Black

Conductor			Insulation Thickness (mils)	Ground Wire		Approx. Cable Dimension (mils)	Approx. Net Wt. Per 1000' (lbs.)	Allowable Ampacity *	Standard Package
Size (AWG or kcmil)	No. of conductors	No. of strands		Size (AWG)	No. of strands				
TWO CONDUCTOR									
14	2	1	19	14	1	368X162	57	15	BEF
12	2	1	19	12	1	418X179	82	20	BEF
10	2	1	24	10	1	494X210	124	30	ABE
8	2	7	35	10	1	618X272	186	40	ABCD
6	2	7	35	10	1	658X308	252	55	ABCD
THREE CONDUCTOR									
14	3	1	19	14	1	462X176	78	15	BEF
12	3	1	19	12	1	524X190	112	20	BEF
10	3	1	24	10	1	630X220	166	30	BCE
8	3	7	35	10	1	572	255	40	ABCD
6	3	7	35	10	1	659	360	55	ABCD
4	3	7	46	8	1	825	565	70	BCD
2	3	7	46	8	1	870	818	95	BCD
FOUR CONDUCTOR									
14	2/2	1*	19	14	1	336	91	15	BE
14	4	1**	19	14	1	336	91	15	BE
12	2/2	1*	19	12	1	381	132	20	BE
12	4	1**	19	12	1	381	132	20	BE
10	4	1	24	10	1	465	201	30	BE

* Ampacities per National Electrical Code section 310.15 and 334.80.

NOTE: Jacket thickness for all NM-B cable is 30 mils.

** Color code for 2/2 conductor cable is Black, White, Red and White with Red stripe.

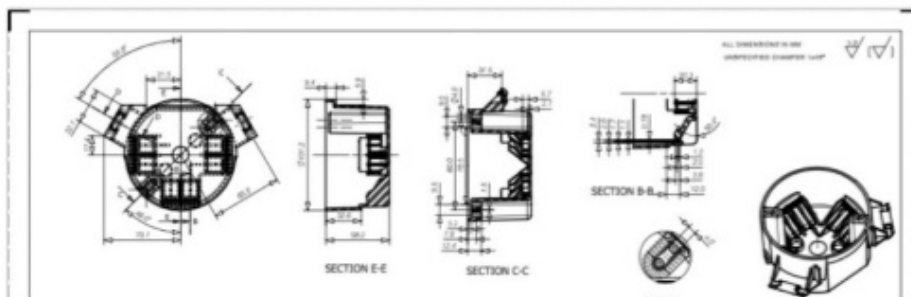
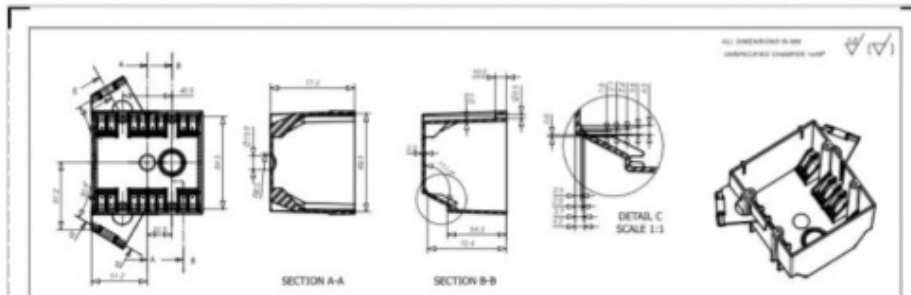
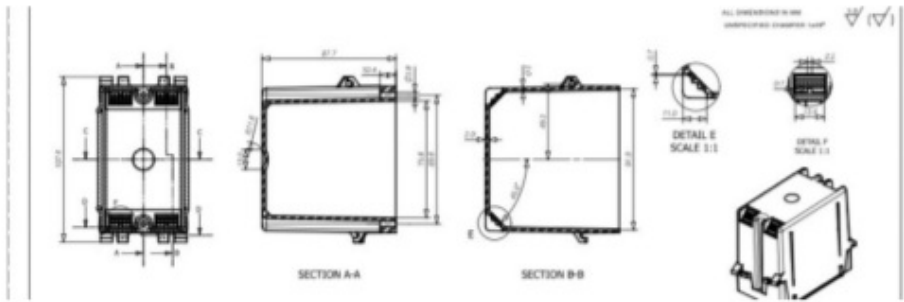
** Color code for 4 conductor cable is Black, White, Red and Blue.

PACKAGE CODE
A-2,500
B-1,000'
C-500'
D-125'
E-250'
F-500'

Deborah Jennings-Conner
 Deborah Jennings-Conner, VP Regulatory Services
 UL LLC



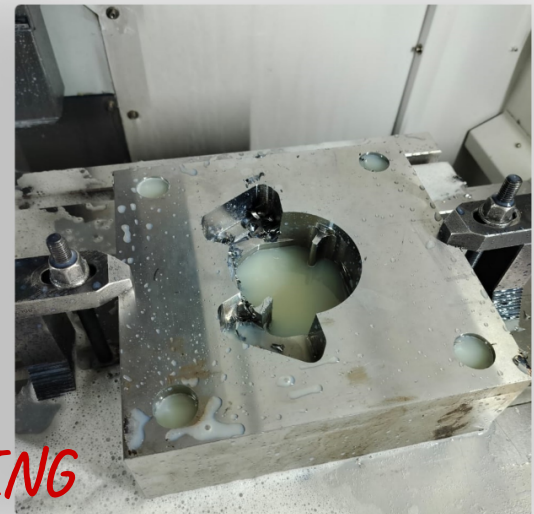
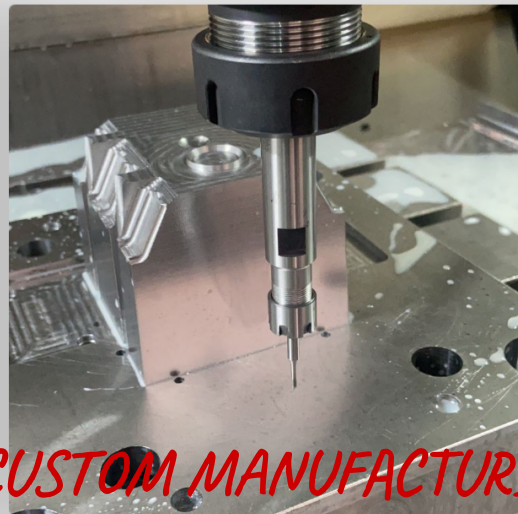
Any information and documentation involving UL Mark services are provided on behalf of UL LLC (UL) or any authorized licensee of UL. For questions, please contact UL Customer Service at <http://ul.com/about/locations/>



USER AND INSTALLATION MANUAL

Non-Metallic Switch and Outlet Box are to be used with NM cables in accordance with Article 314 of the National Electric Code. The box is made with PVC, can be used with masonry walls and 90°C conductors.

- Use in residential and light commercial applications
- Use with switches and outlet devices in new work applications where the wall is not already installed
- Sized for standard devices and switches and extra capacity for wiring and/or larger devices
- Thermoplastic construction resists rust and won't conduct electricity
- Easy installation Nail box and run wire to switches or outlets before drywall





**18 LIGHTING PRODUCTS IN STOCK
IN SOUTH CAROLINA**

**TO REQUEST MORE INFO ON LIGHTING
OR ANY PRODUCT MENTIONED
OR NOT**

**SEND REQUEST TO:
SALES@TRADETHESEAS.COM**



Waight List Of PVC Pipe

	Size	4 kg.	6 kg.	8 kg.	10 kg.	20 kg. super	Heavy super
0II"	20 mm					0.900	1.500
0III"	25 mm					1.200	2.000
1"	32 mm					1.800	2.800
1I"	40 mm				1.800		
1II"	50 mm		2.000		2.900		
2"	63 mm		2.600		3.700		
2II"	75 mm		3.600		5.000		
3"	90 mm		4.800	6.000	7.000	8.000	
4"	110 mm		6.50 / 6.80	8.000	9.00/9.50	10.000	12.0000
5"	140 mm		10.000	12.500	15.000	25.000	30.000
6"	160 mm		12.500	15.000	17.00/20.00	25.000	30.000
7"	180 mm		19.000		25.000		
8"	200 mm	20.000	22.00/25.00	30.000	35.000	- to -	60.000
9"	225 mm		33.000	42.000	55.000	60.000	
10"	250 mm		33.000	42.000	60.000		

WEIGHT LIST						
UPVC PLUMBING PIPE 6 METERS						
SIZE	1/2"	3/4"	1"	1 1/4"	1 1/2"	2
SCHD-40	1.5	2	3	4	6	7
SCHD-80	1.8	2.8	3.8	5	7	8
packing	25	20	12	10	7	5

cPVC PIPES & FITTINGS

FOR HOT & COLD WATER

Application :

- Hot & Cold Water Plumbing.
- Corrosive Fluid Transportation.
- Chemical Fluid.
- Carrying Drinking Water.
- Residential & Industrial Use.



PRODUCT FEATURES :



Corrosion Resistant



High Strength



UV Resistant



Effective Cost



Fire Resistant



Easy to Install



Withstands temp. up to 93° C

CPVC PIPES IN SDR-11 & 13.5 AS PER ASTM D2846 IN CTS (COPPER TUBE SIZE)



CPVC (ISI) PIPE SDR 11

SIZE	3 mtr.			5 mtr.		
	Packing	WEIGHT	RATE	Packing	WEIGHT	RATE
½"	50	0.400	200.00	50	0.670	333.50
¾"	50	0.610	304.00	50	1.016	507.00
1"	30	0.980	500.00	30	1.635	833.35
1 ¼"	20	1.470	760.00	15	2.450	1267.00
1 ½"	15	2.050	1050.00	10	3.415	1717.50
2"	10	3.500	1792.00	8	5.835	2987.00
2 ½"	6	7.000	4200.00	6	11.670	7000.00
3"	4	9.000	5400.00	4	15.000	9000.00
4"	2	13.000	7800.00	2	21.670	13000.00



CPVC (ISI) PIPE SDR 13.5

SIZE	3 mtr.			5 mtr.		
	Packing	WEIGHT	RATE	Packing	WEIGHT	RATE
½"	50	0.350	164.00	50	0.585	273.00
¾"	50	0.520	248.00	50	0.866	414.00
1"	30	0.820	400.00	30	1.366	667.00
1 ¼"	20	1.200	610.00	15	2.000	1017.00
1 ½"	15	1.700	870.00	15	2.833	1450.00
2"	10	2.900	1485.00	8	4.833	2475.00
2 ½"	6	5.100	3060.00	4	8.500	5100.00
3"	5	6.500	3900.00	4	10.830	6500.00
4"	3	9.500	5700.00	3	15.830	9500.00

ASK FOR CURRENT PRICING

STANDARDS

ASTM D 1785 : Specification for Rigid cPVC Compounds

ASTM D 2846 : Specification for Rigid cPVC Plastic & Fittings for Hot & Cold Water Distribution

ASTM F 493 : Specification for Solvent Cement for cPVC Plastic Pipes & Fittings

Pressure Rating of cPVC Pipes (SDR-11 & SDR-13.5)

SIZE	Pipe Size in Inch	½"	¾"	1"	1 ¼"	1 ½"	2"
	Pipe Size in mm	15	20	25	32	40	50
CLASS 2 SDR-13.5	Average Outer Diameter (mm)	15.90	22.20	28.60	34.90	41.30	54.00
	Min. Wall Thickness (mm)	1.40	1.65	2.12	2.59	3.06	4.00
	Pressure Rating (kg. / cm ²) of 23°C	22.50	22.50	22.50	22.50	22.50	22.50
	Pressure Rating (kg. / cm ²) of 82°C	5.60	5.60	5.60	5.60	5.60	5.60
CLASS 1 SDR-11	Average Outer Diameter (mm)	15.90	22.20	28.60	34.60	41.30	54.00
	Min. Wall Thickness (mm)	1.73	2.03	2.59	3.18	3.76	4.90
	Pressure Rating (kg. / cm ²) of 23°C	28.10	28.10	28.10	28.10	28.10	28.10
	Pressure Rating (kg. / cm ²) of 82°C	7.00	7.00	7.00	7.00	7.00	7.00



COLUMN HEADER INFORMATION

Each product column header label identifies the following product particulars:

Part Number: the number used to order the part.

Size: nominal diameter of pipe with which the fitting is to be used.

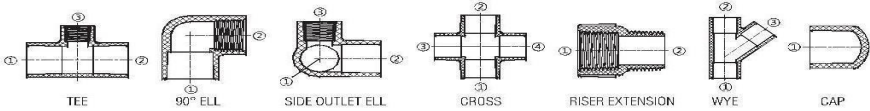
NOTE: Fittings may be same size (only one size designation) or reducing (multiple sizes designated).

Standard Pack (Std Pk) the quantity of parts packaged in an individual box or bag.

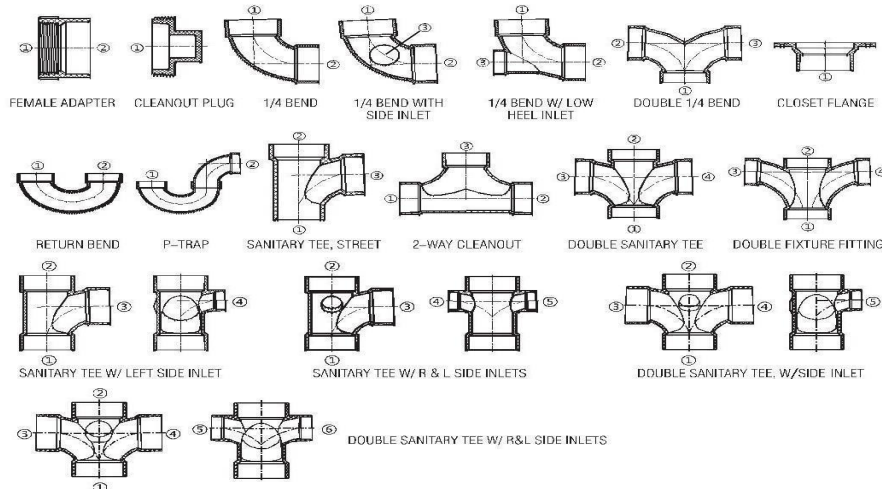
Master Carton (Mstr Ctn) the total quantity of parts contained in individual boxes or bags which are packaged together.

METHODS OF DESIGNATING INLETS OF FITTINGS

PVC SCHEDULE 40 FITTINGS



PVC DWV FITTINGS



PVC DWV FITTINGS



COUPLING (H×H)

Part Number	Size (in)	Std Pk	Mstr Ctn
LP100-012	1-1/4	100	400
LP100-015	1-1/2	100	400
LP100-020	2	100	0
LP100-030	3	60	0
LP100-040	4	25	0
LP100-060	6	5	0
LP100-080	8	8	0
LP100-100	10	8	0
LP100-120	12	2	0

FEMALE ADAPTER (FPT×H)

Part Number	Size (in)	Std Pk	Mstr Ctn
LP101-012	1-1/4	100	400
LP101-015	1-1/2	100	400
LP101-020	2	50	200
LP101-030	3	25	0
LP101-040	4	10	40
LP101-060	6	10	0
LP101-080	8	9	0

FEMALE ADAPTER (FPT×H)

Part Number	Size (in)	Std Pk	Mstr Ctn
LP101-212	1-1/2x1-1/4	100	400

TRAP ADAPTER-MALE (S×SLIP)

Part Number	Size (in)	Std Pk	Mstr Ctn
LP103-012	1-1/4	60	240
LP103-015	1-1/2	50	200
LP103-020	2	25	150
LP103-212	1-1/2x1-1/4	50	200

PIPE INCREASER-REDUCER (H×H)

Part Number	Size (in)	Std Pk	Mstr Ctn
LP102-212	1-1/2x1-1/4	25	150
LP102-251	2x1-1/2	25	100
LP102-337	3x1-1/2	25	0
LP102-338	3x2	20	80
LP102-419	4x1-1/2	25	0
LP102-420	4x2	10	40
LP102-422	4x3	20	0
LP102-532	6x4	6	0
LP102-582	8x4	12	0
LP102-585	8x6	12	0
LP102-624	10x4	12	0
LP102-626	10x6	12	0
LP102-628	10x8	10	0
LP102-668	12x8	2	0
LP102-670	12x10	2	0

TRAP ADAPTER-MALE W/PLASTIC NUT (S×SLIP)

Part Number	Size (in)	Std Pk	Mstr Ctn
LP103P-012	1-1/4	30	180
LP103P-015	1-1/2	50	300
LP103P-020	2	25	100
LP103P-212	1-1/2x1-1/4	75	300

TRAP ADAPTER-MALE W/1-1/2 PLASTIC NUT & WASHER AND 1-1/2 x 1-1/4 WASHER (S×SLIP)

Part Number	Size (in)	Std Pk	Mstr Ctn
LP103R-015	1-1/2	10	80

TRAP ADAPTER-MALE W/PLASTIC NUT & WASHER (S×SLIP)

Part Number	Size (in)	Std Pk	Mstr Ctn
LP103X-012	1-1/4	30	180
LP103X-015	1-1/2	50	300
LP103X-020	2	25	100
LP103X-212	1-1/2x1-1/4	50	300

PVC DWV FITTINGS



LONG SWEEP 1/4 BEND W/LOW HEEL INLET (ALL HUB)

Part Number	Size (in)	Std PK	Mstr Ctn
LP307-337	3x3x1-1/2	10	0
LP307-338	3x3x2	20	0

LONG SWEEP 1/4 BEND W/HIGH HEEL INLET (ALL HUB)

Part Number	Size (in)	Std PK	Mstr Ctn
LP308-338	3x3x2	20	0

LONG SWEEP 1/4 BEND, STREET (HxS)

Part Number	Size (in)	Std PK	Mstr Ctn
LP309-015	1-1/2	30	120
LP309-020	2	15	60
LP309-030	3	10	0
LP309-040	4	5	0

1/4 BEND, STREET W/ LOW HEEL INLET (HxSxH)

Part Number	Size (in)	Std PK	Mstr Ctn
LP310-338	3x3x2	15	0

LONG SWEEP 1/4 BEND W/SIDE INLET (ALL HUB)

Part Number	Size (in)	Std PK	Mstr Ctn
LP311-338	3x3x2	10	0

1/6 BEND (HxH)

Part Number	Size (in)	Std PK	Mstr Ctn
LP319-015	1-1/2	40	160
LP319-020	2	25	100
LP319-030	3	20	0
LP319-040	4	8	0
LP319-060	6	2	0

1/6 BEND, STREET (HxS)

Part Number	Size (in)	Std PK	Mstr Ctn
LP320-015	1-1/2	40	160
LP320-020	2	25	100
LP320-030	3	20	0
LP320-040	4	10	0

1/8 BEND (HxH)

Part Number	Size (in)	Std PK	Mstr Ctn
LP321-012	1-1/4	50	200
LP321-015	1-1/2	100	0
LP321-020	2	50	0
LP321-030	3	25	0
LP321-040	4	15	0
LP321-060	6	5	0
LP321-080	8	4	0

45° ELBOW-SHORT TURN (HxH)

Part Number	Size (in)	Std PK	Mstr Ctn
LP321-015S	1-1/2	60	240

1/8 BEND, STREET (HxS)

Part Number	Size (in)	Std PK	Mstr Ctn
LP323-012	1-1/4	40	240
LP323-015	1-1/2	100	0
LP323-020	2	50	0
LP323-030	3	25	0
LP323-040	4	9	0
LP323-060	6	5	0
LP323-080	8	4	0
LP323-100	10	4	0

PVC DWV FITTINGS



45° ELBOW-SHORT TURN (HxS)

Part Number	Size (in)	Std PK	Mstr Ctn
LP323-015S	1-1/2	80	320

1/16 BEND (HxH)

Part Number	Size (in)	Std PK	Mstr Ctn
LP324-015	1-1/2	50	200
LP324-020	2	25	100
LP324-030	3	25	0
LP324-040	4	15	0
LP324-060	6	3	0
LP324-080	8	6	0
LP324-100	10	4	0
LP324-120	12	2	0

22-1/2° ELBOW-SHORT TURN (HxH)

Part Number	Size (in)	Std PK	Mstr Ctn
LP324-015S	1-1/2	50	200

1/16 BEND, STREET (HxS)

Part Number	Size (in)	Std PK	Mstr Ctn
LP326-015	1-1/2	50	200
LP326-020	2	25	100
LP326-030	3	25	0
LP326-040	4	10	0
LP326-060	6	5	0

DOUBLE 1/4 BEND (HxHxH)

Part Number	Size (in)	Std PK	Mstr Ctn
LP327-015	1-1/2	20	80
LP327-020	2	25	0
LP327-030	3	15	0
LP327-040	4	6	0
LP327-241	2x1-1/2x1-1/2	15	60

CLOSET BEND, REDUCING (HxH)

Part Number	Size (in)	Std PK	Mstr Ctn
LP329-342	3x4	10	0

VENT ELL (HxH)

Part Number	Size (in)	Std PK	Mstr Ctn
LP331-012	1-1/4	30	120
LP331-015	1-1/2	25	150
LP331-020	2	30	120
LP331-030	3	25	0
LP331-040	4	10	0
LP331-060	6	4	0

VENT ELL, STREET (HxS)

Part Number	Size (in)	Std PK	Mstr Ctn
LP333-012	1-1/4	30	120
LP333-015	1-1/2	25	150
LP333-020	2	20	80
LP333-030	3	25	0
LP333-040	4	10	0
LP333-060	6	4	0
LP333-080	8	4	0
LP333-100	10	2	0

TRAP ELBOW (FOR USE WITH TRAPS ONLY) (HxS)

Part Number	Size (in)	Std PK	Mstr Ctn
LP335-030	3	30	0
LP335-040	4	20	0



WATER CLOSET



Spanish W.C.P.
With Cistern



Spanish W.C.S.
With Cistern



American Burma
(E.W.C. Consealed)



Anglo Indian W.C.
"S" Trap



Anglo Indian W.C.
"P" Trap



E.W.C. "S" Trap



Prim W.C. With Cistern



E.W.C. "P" Trap



Dyna E.W.C. "S"

WASH BASIN



Candy
450x325mm(18"x13")



18"x13" 450x325mm



Round 350x275mm(14"x11")



12"x9" 300x225mm



Corner 400x400mm(16"x16")



Rani



Bantium
450x300mm(18"x12")



Sacmi 375x415x150mm

07

TABLE TOP



Lumina 380x420x125mm



Canon 290x340x120mm



Corus 410x410x160mm

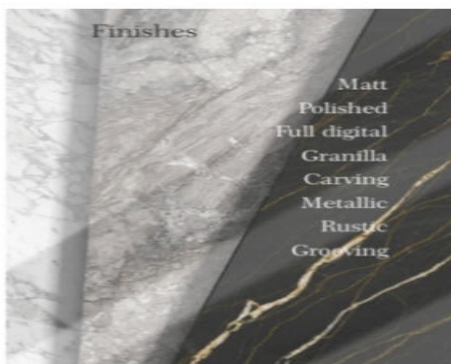


Alfa 400x500x160mm



Oval Top Counter 22"x16"

067		18 gauge	S.S.304	23 x 17-3/4 x 8	21 x 15-3/4 x 8	110 Pcs
068		18 gauge	S.S.304	30 x 18 x 9	28 x 16	110 Pcs
002		18 gauge	S.S.304	32-1/4 x 18-1/2 x 9	14-1/2 x 16-1/2 50/50	110 Pcs
001L		18 gauge	S.S.304	32 x 20-3/4 X9	15-3/4 x 18-3/4 x 9 & 13 x 16-1/2 x 7 60/60	110 Pcs
001R		18 gauge	S.S.304	32 x 20-3/4 X9	13 x 16-1/2 x 7 & 15-3/4 x 18-3/4 x 9 40/60	110 Pcs



COMING SOON.....



JUNCTION BOXES



ALUMINUM SER

CONTACT US



USA

PHONE: 770-652-1267

524 Stagecoach dr.

Anderson, SC 29625

Email: SALES@TRADETHESEAS.COM

INDIA (VIR-JA EXIM INTERNATIONAL)

PHONE: +91 92653 91804

2/Madhuban 28, nr. Shrikunj Party Plot,

Chharodi, Gujarat 382481

